

SPECIFICATIONS:

SUPPLY VOLTAGE: 5 TO 8 VOLTS D.C.

SUPPLY CURRENT: 50 mA. MAX.

OUTPUT VOLTAGE @ 5 mA.: 1.0 VOLT MAX.

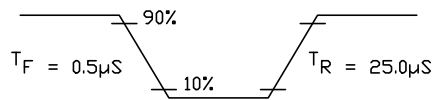
OUTPUT CURRENT SINKING 10 mA. MAX.

STORAGE AND OPERATING TEMP.: -40°C TO +125°C
-40°F TO +257°F

ENCAPSULATED IN GLASS-FILLED EPOXY SUITABLE FOR ENGINE OIL OR OTHER NON-CONDUCTIVE MEDIA ONLY.

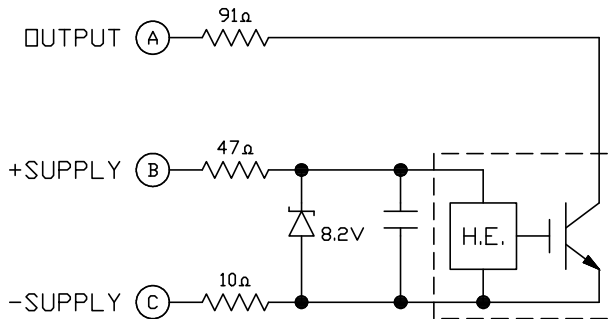
MAXIMUM OPERATING PRESSURE: 50 psi DIFFERENTIAL

TYPICAL OUTPUT WAVEFORM

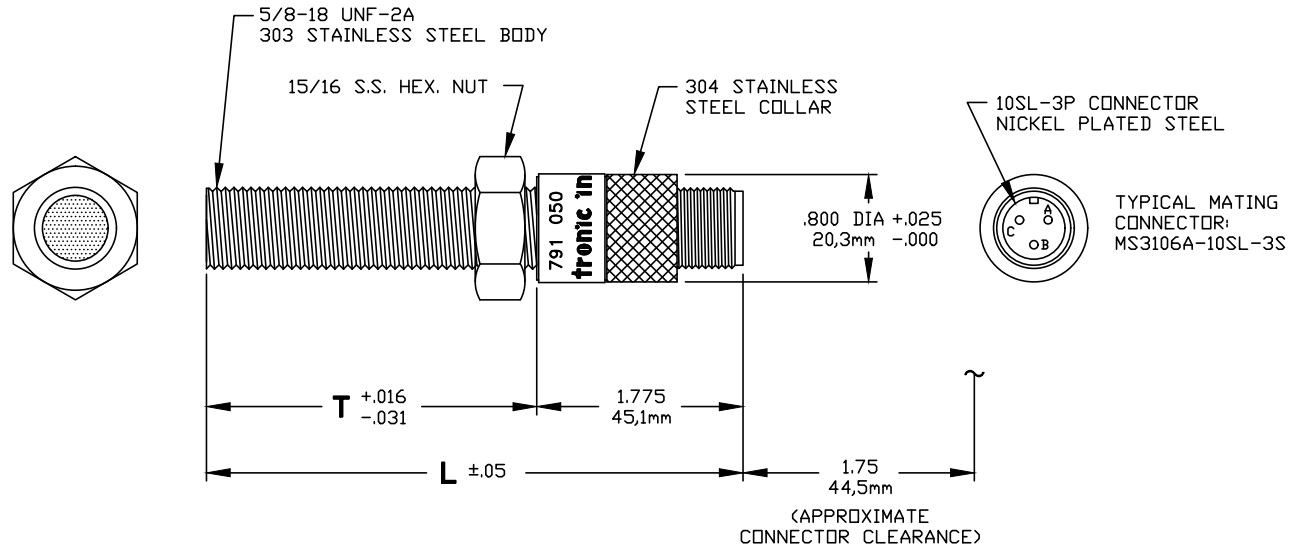


TRIGGERED BY THE NORTH POLE OF MAGNET 5 VOLT SUPPLY 1KΩ LOAD

SCHEMATIC



| ALTRONIC P/N | T | L |
|--------------|---------------|-----------------|
| 791050-1 | 1.75"/44,5mm | 3.525"/89.55mm |
| 791050-2 | 2.50"/63,5mm | 4.275"/108.59mm |
| 791050-4 | 4.50"/114.3mm | 6.275"/159.39mm |
| 791050-6 | 6.00"/152.4mm | 7.775"/197.49mm |



NOTE:

1. NORTH POLE OF MAGNET MUST FACE SENSING END WITH AIR GAP OF .030/.040 (.76/1.0).
2. CENTERLINE OF MAGNET'S ROTATION MUST RUN THROUGH CENTERLINE OF PICKUP.

REVISIONS

| NO. | DATE | BY | DESCRIPTION |
|-----|----------|-----|------------------------|
| 2 | 4-9-90 | DWA | ADD 791 050-6 TO CHART |
| 3 | 11-6-96 | WTP | ECN 960134 |
| 4 | 9-2-97 | WTP | ECN 970105 |
| 5 | 7-5-01 | GET | ECN 010057 |
| 6 | 10-29-20 | JFD | ECN 200069 R1 |

TOLERANCES

(EXCEPT AS NOTED)

DECIMAL

FRACTIONAL

MATERIAL



TITLE
SALES DRAWING,
HALL EFFECT PICKUP

| | | | | |
|-------------|-----|-------|----------|----------------|
| DRAWN BY | DWA | SCALE | FULL | DRAWING NUMBER |
| CHECKED BY | | DATE | 10-22-85 | 791050-S |
| APPROVED BY | | | | |