

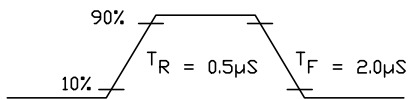
SPECIFICATIONS:

SUPPLY VOLTAGE: 5 TO 8 VOLTS D.C.
 SUPPLY CURRENT: 50 mA. MAX.
 OUTPUT VOLTAGE @ 5 ma.: SUPPLY VOLTAGE MINUS 1.0 VOLT MAX.
 OUTPUT CURRENT SOURCING: 10 mA. MAX.
 STORAGE AND OPERATING TEMP.: -40°C TO +125°C
 -40°F TO +257°F

ENCAPSULATED IN GLASS-FILLED EPOXY SUITABLE FOR ENGINE OIL OR OTHER NON-CONDUCTIVE MEDIA ONLY.

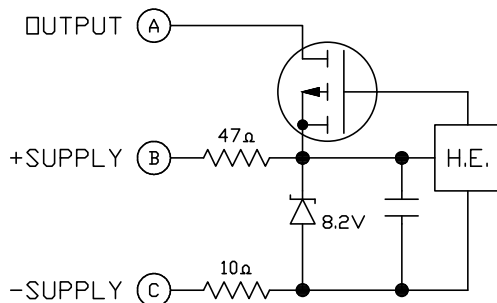
MAXIMUM OPERATING PRESSURE: 50 psi DIFFERENTIAL

TYPICAL OUTPUT WAVEFORM

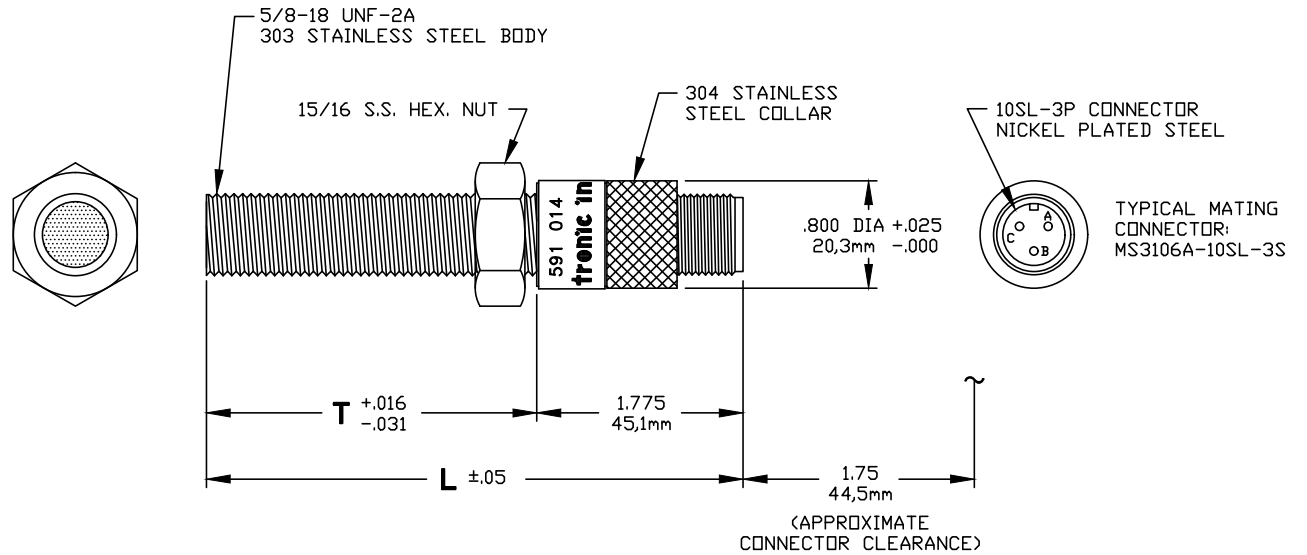


TRIGGERED BY THE NORTH POLE OF MAGNET 5 VOLT SUPPLY 1KΩ LOAD

SCHEMATIC



ALTRONIC P/N	T	L
591014-2	2.50"/63,5mm	4.275"/108,59mm
591014-4	4.50"/114,3mm	6.275"/159,39mm



NOTE:

1. NORTH POLE OF MAGNET MUST FACE SENSING END WITH AIR GAP OF .030/.040 (.76/1.0).
2. CENTERLINE OF MAGNET'S ROTATION MUST RUN THROUGH CENTERLINE OF PICKUP.

REVISIONS

NO.	DATE	BY	DESCRIPTION
1	10-8-90	WTP	REDRAWN ON CAD
2	8-6-92	WTP	UPDATED TITLE
3	11-5-96	WTP	ECN 960134
4	9-2-97	WTP	ECN 970105
5	10-29-20	JFD	ECN 200069 R1

TOLERANCES (EXCEPT AS NOTED)

DECIMAL

FRACTIONAL

MATERIAL



TITLE SALES DRAWING, HALL EFFECT PICKUP

DRAWN BY	DWA	SCALE	FULL	DRAWING NUMBER
CHECKED BY		DATE	1-26-88	591014-S
APPROVED BY				